

M

MSP25 PAN&TILT

Precision and reliability
in any environment.



The MSP25 platform is a scalable and configurable system that allows the positioning of a payload in two axes.

Its design and structure offer great adaptability to several types of payloads with easy installation on masts, vehicles and vessels.

Additionally, the system's high pointing precision and repeatability allow its use in artillery and advanced observation systems where targets are located at long distances.

The system can be integrated into lightweight moving vehicles that require adaptation and positioning of their situational awareness systems, as well as use in ground surveillance operational environments.

The platform enables continuous 360° rotation, allowing the use of a high-definition dual optronic block with an HD-SDI interface.

The MSP25 platform integrates a mechanical interface that adjusts the payload's center of gravity, ensuring optimal positioning performance at all times.

In its most advanced configuration, the system enables stabilization of the payload on both axes, making it suitable for high-performance applications on land vehicles and vessels.

*System scalable to accommodate customer-defined payloads

KEY FEATURES

RoHS Compliant Construction

Programmable movement limits for enhanced precision

Integrated Diagnostics: Built-in-Test (BITE)

Safe operation: Safe-Torque-Off (STO)

MIL-DTL-38999 Connectors

Environmental Qualification: MIL-STD-810G

Network Integration: 100BaseTX for seamless connectivity

High Definition Video Transmission: HD-SDI

SENSOR INTEGRATION

Multispectral Cameras: (Visible/NIR/SWIR)

Thermal Imaging: (LWIR/MWIR)

IR and Visible Illuminators

MECHANICAL PARAMETERS

Azimuth Rotation: Continuous 360° x N

Elevation Rotation: ±90°

Maximum Payload: 25Kg*

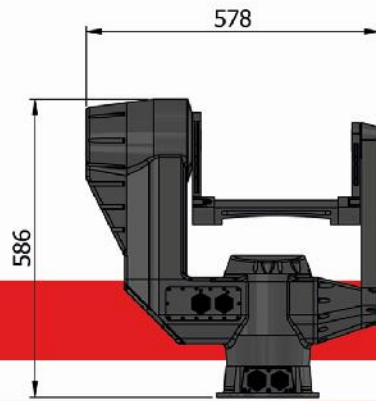
Speed Control Mode: Integration with customer joystick

Position Control Mode: Integration with external designation systems

MECANUS

LEADING EDGE DEFENCE SOLUTIONS

WWW.MECANUS.COM // MECANUS@MECANUS.COM



KINEMATIC PERFORMANCE

MAX. SPEED AZIMUTH & ELEVATION

1,5 rad/s

MIN. SPEED AZIMUTH & ELEVATION

0,3 mrad/s

ACCELERATION IN AZIMUTH AND ELEVATION

3 rad/s²

POSITION INCREMENT

21 bits

TRANSMISSION TYPE

Cycloidal zero backlash

STABILITATION

2 axis (azimuth & elevation) 300 µRad

ELECTRICAL PARAMETERS

STANDARD 28VDC POWER SUPPLY

Compliant with MIL-STD-1275E

EXTENDED MILITARY CONFIGURATION

Continuous 28VDC and 280W power. Compliant with MIL-STD-1275E

ENVIRONMENTAL PARAMETERS

OPERATING TEMPERATURE RANGE

-25°C to +60°C

HUMIDITY

MIL-STD-810G method 507.5 procedure I

VIBRATION

MIL-STD-810G fig. 514.6D-8 Cat. 20 for wheeled vehicles

OPERATIONAL SHOCK

MIL-STD-810G method 516.6 procedure I

IP PROTECTION

IP65

EMI/EMC COMPLIANT

MIL-STD-461E, CE102, CS101, CS114, CS115, CS116 & RE102